



TRANSPORTATION CABINET

Frankfort, Kentucky 40622
www.transportation.ky.gov/

Steven L. Beshear
Governor

Michael W. Hancock, P.E.
Secretary

October 20, 2015

CALL NO. 302
CONTRACT ID NO. 151064
ADDENDUM # 2

Subject: Franklin County, FD04 SPP 037 0060 009-010
Letting October 23, 2015

- (1) Revised - Plan Sheets - S1 & S5
- (2) Added - Plan Sheet - R13
- (3) Revised - Front Sheet
- (4) Revised - Completion Date - Page 4 of 364
- (5) Revised - Bid Items - Pages 362-364 of 364

Proposal revisions are available at <http://transportation.ky.gov/Construction-Procurement/>.

Plan revisions are available at <http://www.lynnimaging.com/kytransportation/>.

If you have any questions, please contact us at 502-564-3500.

Sincerely,

A handwritten signature in cursive script that reads "Rachel Mills".

Rachel Mills, P.E.
Director
Division of Construction Procurement

RM:ks
Enclosures



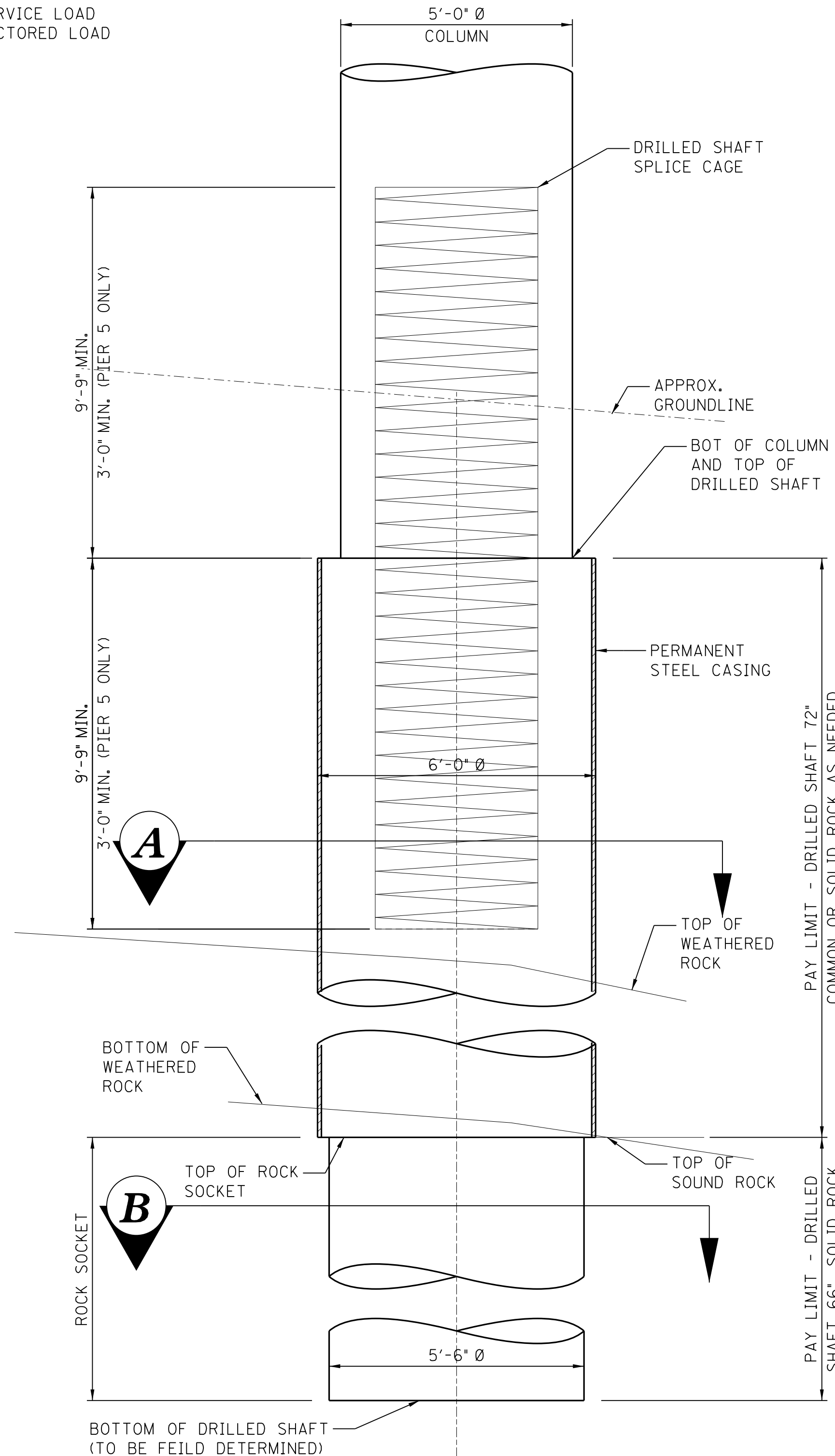
An Equal Opportunity Employer M/F/D

DRILLED SHAFT RECORD

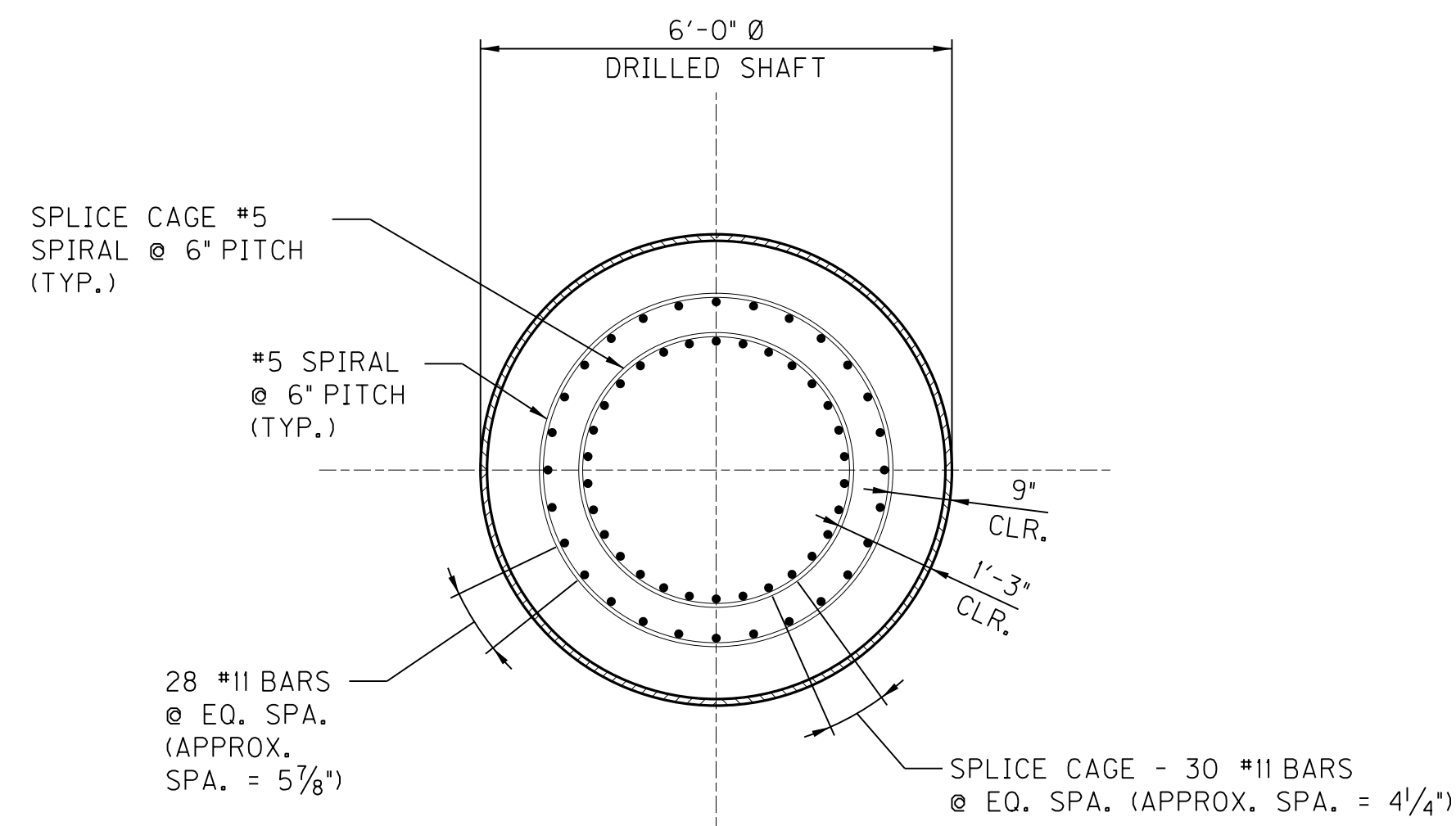
DRILLED SHAFT NUMBER	DRILLED SHAFT CAPACITY (KIPS)			ELEVATIONS (FEET)					LENGTHS (FEET)					
	BEARING **	UPLIFT	LATERAL ***	TOP OF SHAFT	TOP OF ROCK	BOTTOM OF SHAFT		TOP OF ROCK SOCKET	COMMON		SOLID ROCK		ROCK SOCKET	
						PLAN	AS BUILT		PLAN	AS BUILT	PLAN	*MINIMUM	AS BUILT	
DS1	756		110	720.0	693.5	683.5			26.5	10.0		10.0	10.0	
DS2	756		110	720.5	702.0	692.0			18.5	10.0		10.0	10.0	
DS3	756		110	721.5	708.5	698.5			13.0	10.0		10.0	10.0	
DS4	756		110	-	727.0	717.0			-	10.0		10.0	10.0	
DS5	756		110	739.0	732.5	722.5			6.5	10.0		10.0	10.0	
DS6	756		110	721.5	708.5	698.5			13.0	10.0		10.0	10.0	
DS7	756		110	725.0	720.0	710.0			5.0	10.0		10.0	10.0	

** SERVICE LOAD
*** FACTORED LOAD

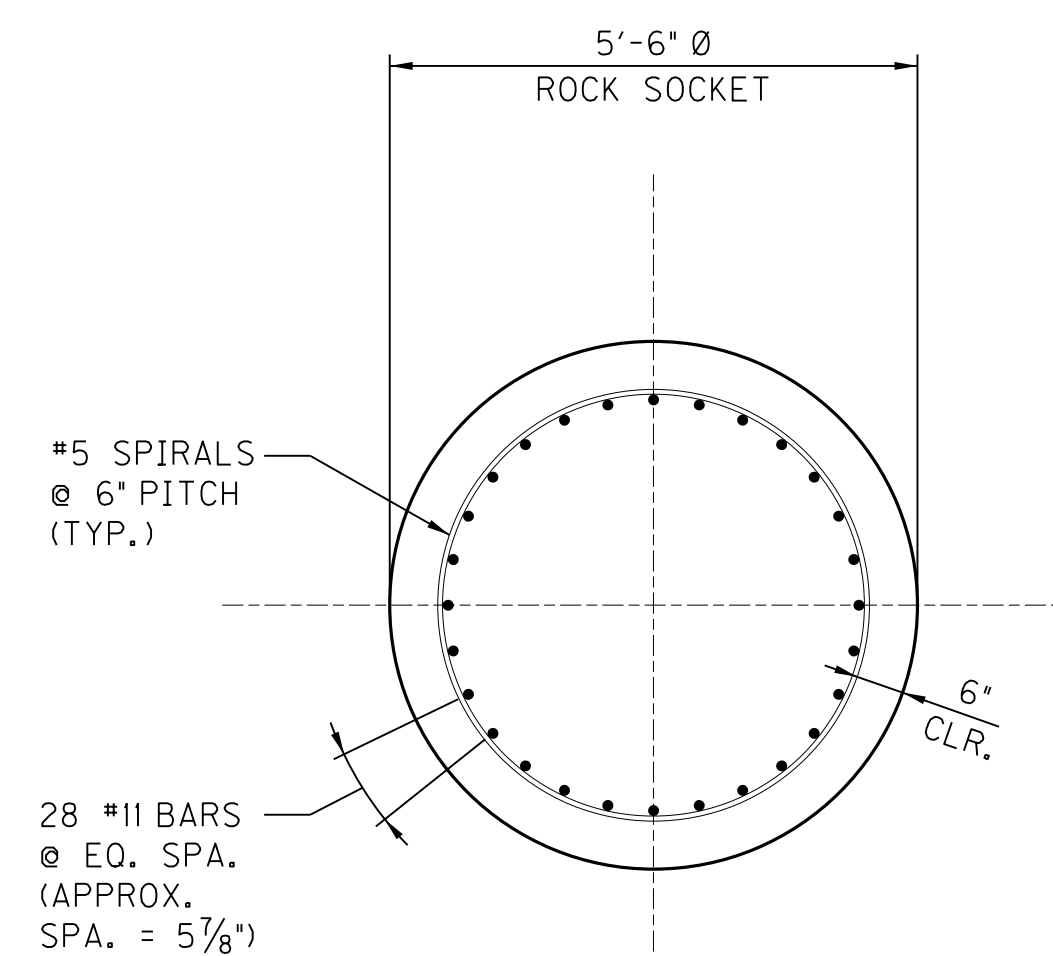
*AS MEASURED FROM TOP OF COMPETENT ROCK FOR LATERAL STABILITY



DRILLED SHAFT DETAIL
(DS1-DS7)



SECTION "A"



SECTION "B"

DRILLED SHAFT NOTES

- DRILLED SHAFTS SHALL BE CONSTRUCTED IN ACCORDANCE WITH THE SPECIAL NOTE FOR DRILLED SHAFTS, CURRENT EDITION. INCLUDE ALL COSTS (MATERIALS INCLUDING SPIRAL, SPLICE CAGE, AND LONGITUDINAL REINFORCEMENT, REINFORCEMENT SPLICES, AND MECHANICAL COUPLERS, CONCRETE, AND TEMPORARY OR PERMANENT CASING), LABOR, AND EQUIPMENT) ASSOCIATED WITH THE DRILLED SHAFTS IN THE UNIT PRICE BID FOR DRILLED SHAFT, COMMON OR SOLID ROCK, AS APPLICABLE.
- THE CONTRACTOR SHALL PROVIDE SUBSURFACE EXPLORATION BORINGS AT EACH DRILLED SHAFT LOCATION IN ACCORDANCE WITH THE SPECIAL NOTE FOR DRILLED SHAFTS, CURRENT EDITION. ROCK SOUNDING AND ROCK CORING WILL BE REQUIRED AT EACH SHAFT LOCATION. PAYMENT WILL BE BASED ON ACTUAL SOUNDING AND CORING LENGTHS. THE CONTRACTOR SHALL PROVIDE A MINIMUM 2 1/2" I.D. TEMPORARY CASING FOR THE SUBSURFACE EXPLORATION BORINGS THAT WILL ALLOW THE CABINET TO INSPECT THE ROCK CORE PORTION OF THE BORING USING A DOWNHOLE CAMERA. THE CASING SHALL BE INSTALLED IN A MANNER SUCH THAT THE CASING DOES NOT EXTEND INTO ROCK CORE PORTION OF THE BORING AND SO THAT OVERBURDEN SOILS DO NOT COLLAPSE AND PREVENT INSERTION OF THE DOWNHOLE CAMERA. THIS TEMPORARY CASING IS INCIDENTAL TO THE UNIT BID PRICE FOR "ROCK SOUNDING" AND "ROCK CORING."
- ELEVATIONS FOR THE BOTTOM DRILLED SHAFT-COMMON, TOP OF DRILLED SHAFT-SOLID ROCK, AND BOTTOM OF DRILLED SHAFT-SOLID ROCK WILL BE DETERMINED BY THE DIVISION OF STRUCTURAL DESIGN, GEOTECHNICAL BRANCH, BASED ON THE RESULTS OF THE ROCK SOUNDING AND ROCK CORING. QUANTITIES FOR THE DRILLED SHAFTS SHOWN ON THE TITLE SHEET ARE ESTIMATES, AND THE ACTUAL INSTALLED AND PAID QUANTITY WILL BE DETERMINED AFTER THE ROCK SOUNDING AND ROCK CORING IS COMPLETE IN ACCORDANCE WITH THE SPECIAL NOTE FOR DRILLED SHAFTS, CURRENT EDITION.
- SPLICING OF LONGITUDINAL REINFORCEMENT: THE FIRST SPLICE FOR LONGITUDINAL REINFORCEMENT SHALL BE 40' MINIMUM, FROM THE TOP OF SHAFT. NO MORE THAN 50% OF THE LONGITUDINAL REINFORCEMENT SHALL BE SPLICED WITHIN 1 SPLICE LENGTHS OF ANY LOCATION OR WITHIN 3' OF THE SPLICE LOCATION IF MECHANICAL CONNECTORS ARE USED. MECHANICAL CONNECTORS SHALL DEVELOP A MINIMUM OF 125% OF THE YIELD STRENGTH OF THE LONGITUDINAL REINFORCEMENT. WHEN A DRILLED SHAFT IS LENGTHENED IN THE FIELD, 100% OF THE LONGITUDINAL REINFORCEMENT MAY BE SPLICED AT THE BOTTOM OF THE REINFORCEMENT CAGE.
- SPIRALS FOR DRILLED SHAFT AND DRILLED SHAFT SPLICE CAGE SHALL MEET SPLICING REQUIREMENTS FOR SPIRALS LISTED ON SHEET S34.
- INTEGRITY TESTING OF DRILLED SHAFTS IS REQUIRED. SEE SPECIAL NOTES FOR NON-DESTRUCTIVE TESTING OF DRILLED SHAFTS.

REVISED CASING NOTES		10/19/2015
REVISION		DATE
DATE: SEPTEMBER 2014	CHECKED BY	
DESIGNED BY: A.C. THOMAS	D.H. DEITZ	
DETAILED BY: D.L. HORTON	A.C. THOMAS	
Commonwealth of Kentucky		
DEPARTMENT OF HIGHWAYS		
COUNTY		
FRANKLIN		
ROUTE	CROSSING	
KSU PEDESTRIAN BRIDGE	US 60	
PIER DRILLED SHAFT RECORD		
ITEM NUMBER	PREPARED BY	SHEET NO.
5-8714.00	PALMER ENGINEERING CO.	S5
		DRAWING NO.
		27118

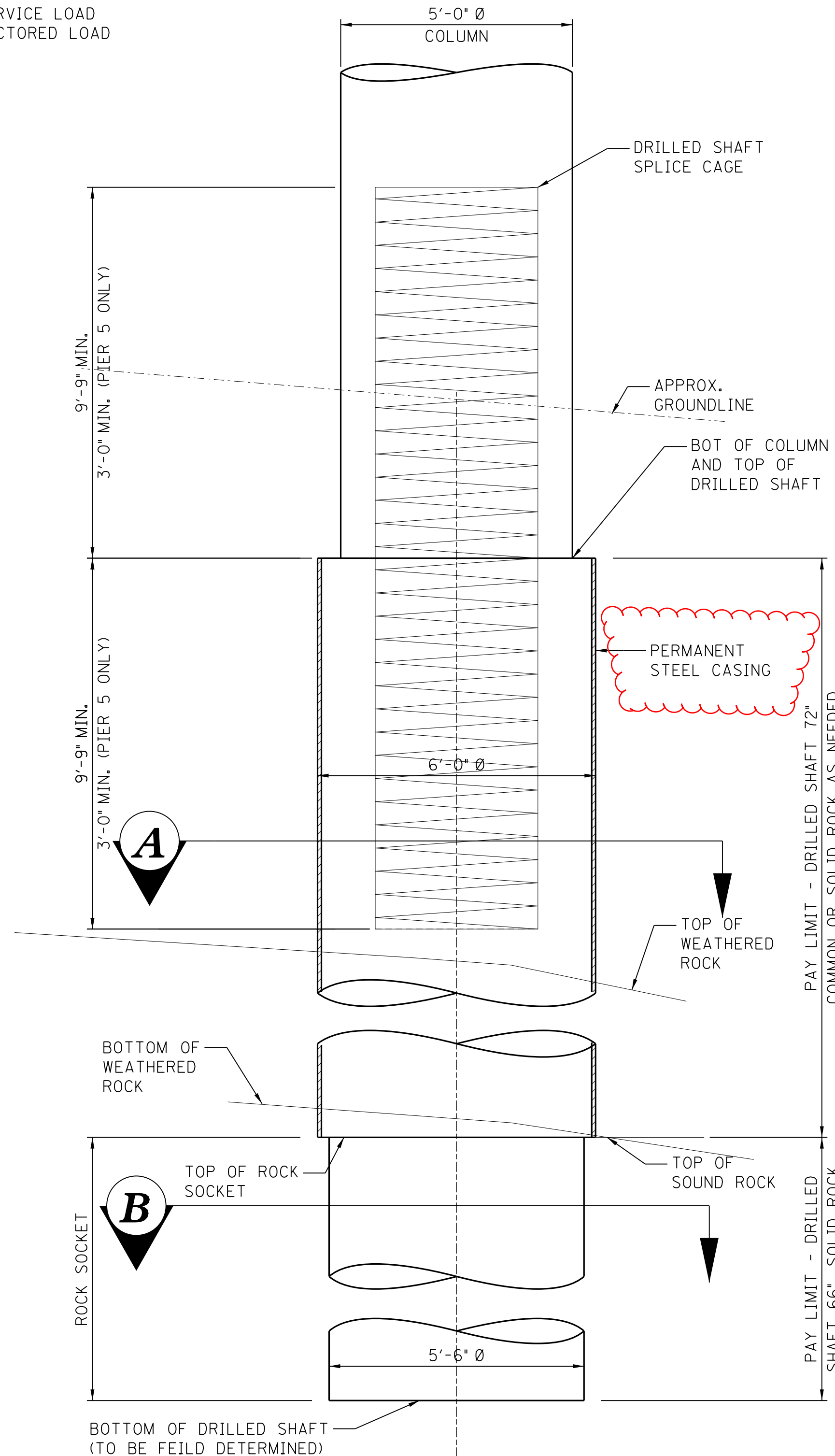
10/19/2015 1:43:36 PM
 FILE NAME: G:\PW\WORKDIR\JEFF-R\DM501963\REV1_27118_S05_PIER_DR1_SHT_REC.DGN
 \REV1_27118_S05_PIER_DR1_SHT_REC.dgn
 USER: jeffr
 DATE PLOTTED: October 19, 2015
 E-SHEET NAME:
 MicroStation v8.11.9.357

DRILLED SHAFT RECORD

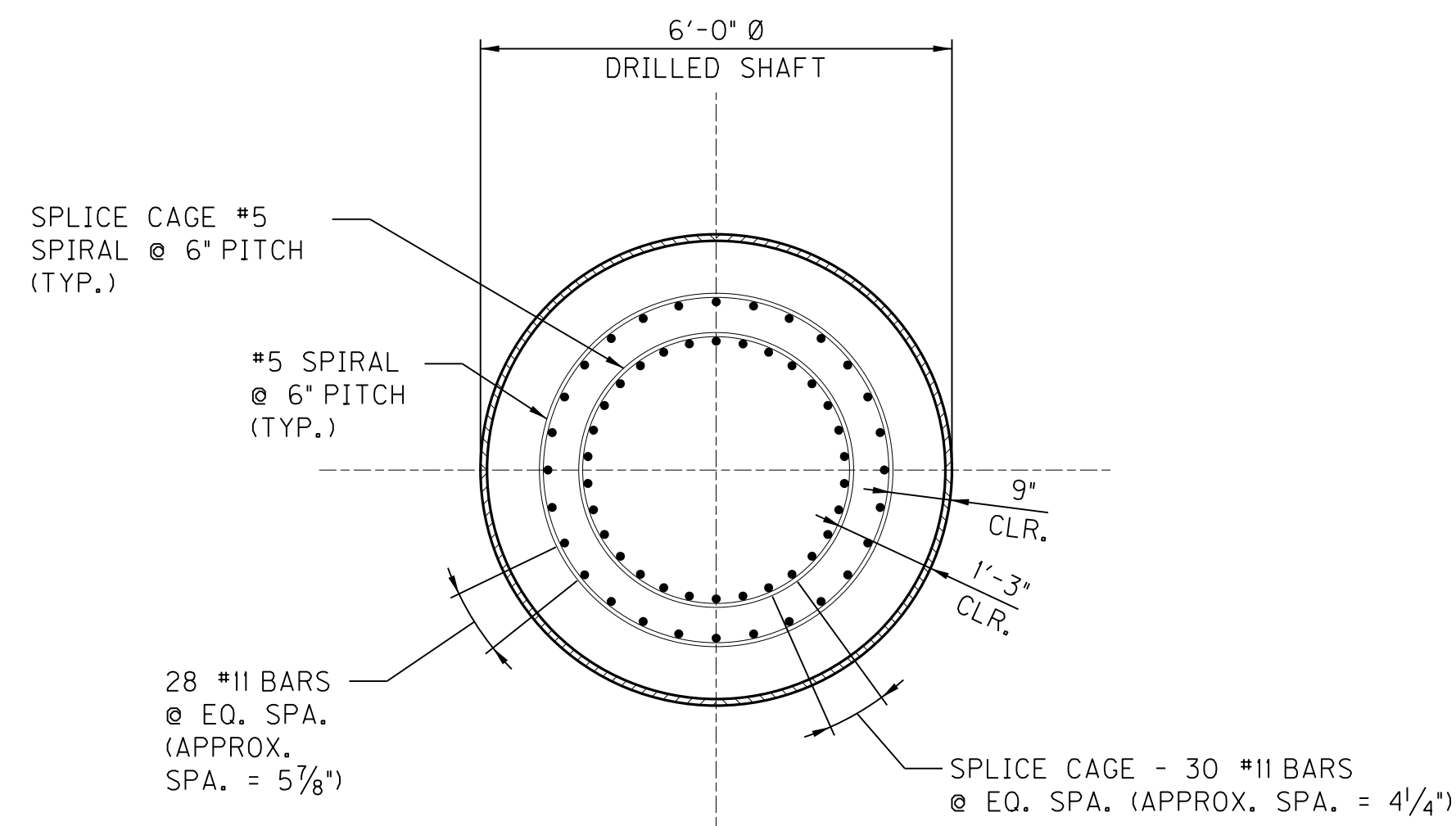
DRILLED SHAFT NUMBER	DRILLED SHAFT CAPACITY (KIPS)			ELEVATIONS (FEET)					LENGTHS (FEET)				
	BEARING **	UPLIFT	LATERAL ***	TOP OF SHAFT	TOP OF ROCK	BOTTOM OF SHAFT		TOP OF ROCK SOCKET	COMMON	SOLID ROCK		ROCK SOCKET	
						PLAN	AS BUILT		PLAN	AS BUILT	PLAN	*MINIMUM	AS BUILT
DS1	756		110	720.0	693.5	683.5			26.5	10.0		10.0	10.0
DS2	756		110	720.5	702.0	692.0			18.5	10.0		10.0	10.0
DS3	756		110	721.5	708.5	698.5			13.0	10.0		10.0	10.0
DS4	756		110	-	727.0	717.0			-	10.0		10.0	10.0
DS5	756		110	739.0	732.5	722.5			6.5	10.0		10.0	10.0
DS6	756		110	721.5	708.5	698.5			13.0	10.0		10.0	10.0
DS7	756		110	725.0	720.0	710.0			5.0	10.0		10.0	10.0

** SERVICE LOAD
*** FACTORED LOAD

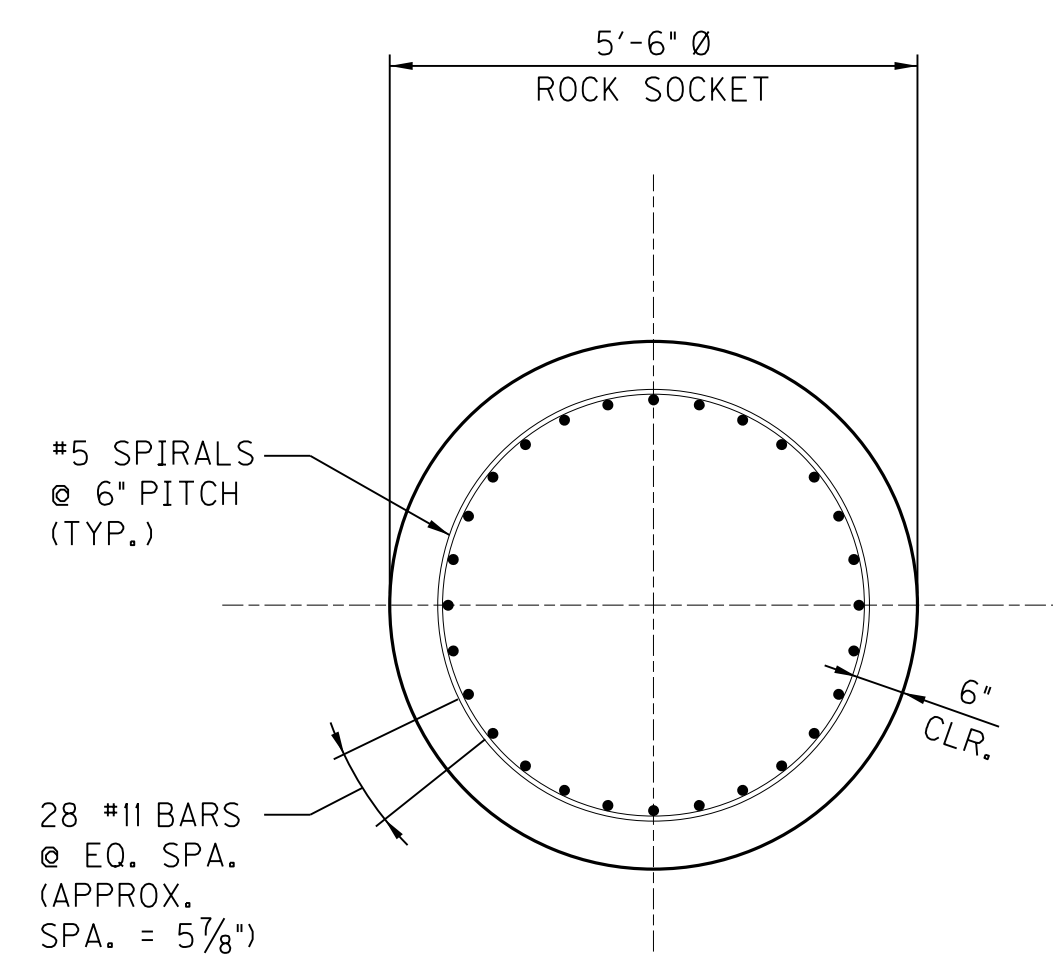
*AS MEASURED FROM TOP OF COMPETENT ROCK FOR LATERAL STABILITY



DRILLED SHAFT DETAIL
(DS1-DS7)



SECTION "A"



SECTION "B"

DRILLED SHAFT NOTES

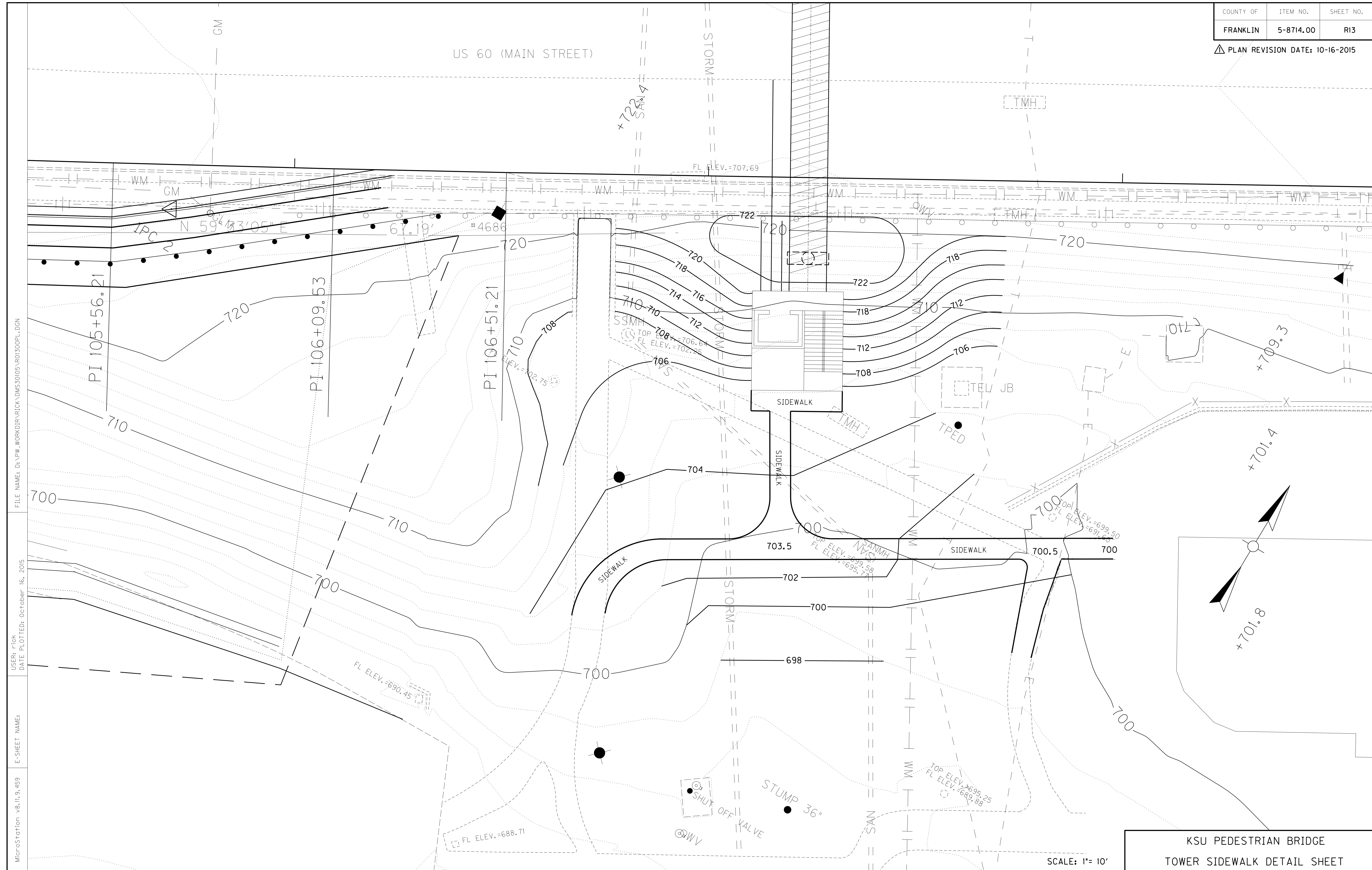
- DRILLED SHAFTS SHALL BE CONSTRUCTED IN ACCORDANCE WITH THE SPECIAL NOTE FOR DRILLED SHAFTS, CURRENT EDITION. INCLUDE ALL COSTS (MATERIALS INCLUDING SPIRAL, SPLICE CAGE, AND LONGITUDINAL REINFORCEMENT, REINFORCEMENT SPLICES, AND MECHANICAL COUPLERS, CONCRETE, AND TEMPORARY OR PERMANENT CASING), LABOR, AND EQUIPMENT) ASSOCIATED WITH THE DRILLED SHAFTS IN THE UNIT PRICE BID FOR DRILLED SHAFT, COMMON OR SOLID ROCK, AS APPLICABLE.
- THE CONTRACTOR SHALL PROVIDE SUBSURFACE EXPLORATION BORINGS AT EACH DRILLED SHAFT LOCATION IN ACCORDANCE WITH THE SPECIAL NOTE FOR DRILLED SHAFTS, CURRENT EDITION. ROCK SOUNDING AND ROCK CORING WILL BE REQUIRED AT EACH SHAFT LOCATION. PAYMENT WILL BE BASED ON ACTUAL SOUNDING AND CORING LENGTHS. THE CONTRACTOR SHALL PROVIDE A MINIMUM 2 1/2" I.D. TEMPORARY CASING FOR THE SUBSURFACE EXPLORATION BORINGS THAT WILL ALLOW THE CABINET TO INSPECT THE ROCK CORE PORTION OF THE BORING USING A DOWNHOLE CAMERA. THE CASING SHALL BE INSTALLED IN A MANNER SUCH THAT THE CASING DOES NOT EXTEND INTO ROCK CORE PORTION OF THE BORING AND SO THAT OVERBURDEN SOILS DO NOT COLLAPSE AND PREVENT INSERTION OF THE DOWNHOLE CAMERA. THIS TEMPORARY CASING IS INCIDENTAL TO THE UNIT BID PRICE FOR "ROCK SOUNDING" AND "ROCK CORING."
- ELEVATIONS FOR THE BOTTOM DRILLED SHAFT-COMMON, TOP OF DRILLED SHAFT-SOLID ROCK, AND BOTTOM OF DRILLED SHAFT-SOLID ROCK WILL BE DETERMINED BY THE DIVISION OF STRUCTURAL DESIGN, GEOTECHNICAL BRANCH, BASED ON THE RESULTS OF THE ROCK SOUNDING AND ROCK CORING. QUANTITIES FOR THE DRILLED SHAFTS SHOWN ON THE TITLE SHEET ARE ESTIMATES, AND THE ACTUAL INSTALLED AND PAID QUANTITY WILL BE DETERMINED AFTER THE ROCK SOUNDING AND ROCK CORING IS COMPLETE IN ACCORDANCE WITH THE SPECIAL NOTE FOR DRILLED SHAFTS, CURRENT EDITION.
- SPLICING OF LONGITUDINAL REINFORCEMENT: THE FIRST SPLICE FOR LONGITUDINAL REINFORCEMENT SHALL BE 40' MINIMUM, FROM THE TOP OF SHAFT. NO MORE THAN 50% OF THE LONGITUDINAL REINFORCEMENT SHALL BE SPLICED WITHIN 1 SPLICE LENGTHS OF ANY LOCATION OR WITHIN 3' OF THE SPLICE LOCATION IF MECHANICAL CONNECTORS ARE USED. MECHANICAL CONNECTORS SHALL DEVELOP A MINIMUM OF 125% OF THE YIELD STRENGTH OF THE LONGITUDINAL REINFORCEMENT. WHEN A DRILLED SHAFT IS LENGTHENED IN THE FIELD, 100% OF THE LONGITUDINAL REINFORCEMENT MAY BE SPLICED AT THE BOTTOM OF THE REINFORCEMENT CAGE.
- SPIRALS FOR DRILLED SHAFT AND DRILLED SHAFT SPLICE CAGE SHALL MEET SPLICING REQUIREMENTS FOR SPIRALS LISTED ON SHEET S34.
- INTEGRITY TESTING OF DRILLED SHAFTS IS REQUIRED. SEE SPECIAL NOTES FOR NON-DESTRUCTIVE TESTING OF DRILLED SHAFTS.

REVISED CASING NOTES		10/19/2015
REVISION		DATE
DATE: SEPTEMBER 2014	CHECKED BY	
DESIGNED BY: A.C. THOMAS	D.H. DEITZ	
DETAILED BY: D.L. HORTON	A.C. THOMAS	
Commonwealth of Kentucky DEPARTMENT OF HIGHWAYS		
COUNTY FRANKLIN		
ROUTE KSU PEDESTRIAN BRIDGE	CROSSING US 60	
PIER DRILLED SHAFT RECORD		
ITEM NUMBER	PREPARED BY	SHEET NO.
5-8714.00	PALMER ENGINEERING CO.	S5
		DRAWING NO. 27118

10/19/2015 1:43:51 PM
 FILE NAME: G:\PW\WORKDIR\JEFF-R\DM501963\REV1_27118_S05_PIER_DR1_SHT_REC.DGN
 \REV1_27118_S05_PIER_DR1_SHT_REC.dgn
 USER: jeffr
 DATE PLOTTED: October 19, 2015
 E-SHEET NAME:
 MicroStation v8.11.9.357

COUNTY OF	ITEM NO.	SHEET NO.
FRANKLIN	5-8714.00	R13

PLAN REVISION DATE: 10-16-2015



FILE NAME: D:\PW_WORKDIR\RICK.DMS30105\R01300PL.DGN

USER: Rick
DATE PLOTTED: October 16, 2015

E-SHEET NAME:

MicroStation v8.11.9.459

KSU PEDESTRIAN BRIDGE
TOWER SIDEWALK DETAIL SHEET

SCALE: 1"= 10'

COUNTY OF	ITEM NO.	SHEET NO.
FRANKLIN	5-8714.00	R13

PLAN REVISION DATE: 10-16-2015

FILE NAME: D:\PW_WORKDIR\RICK\DWG\30105\VR01300PL.DWG
 USER: Rick
 DATE PLOTTED: October 16, 2015
 E-SHEET NAME:
 MicroStation v8.11.9.459



KSU PEDESTRIAN BRIDGE
TOWER SIDEWALK DETAIL SHEET

SCALE: 1" = 10'



CALL NO. 302

CONTRACT ID. 151064

FRANKLIN COUNTY

FED/STATE PROJECT NUMBER FD04 SPP 037 0060 009-010

DESCRIPTION KENTUCKY STATE UNIVERSITY PEDESTRIAN BRIDGE(US-60)

WORK TYPE BRIDGE WITH GRADE, DRAIN & SURFACE

PRIMARY COMPLETION DATE 1/31/2017

LETTING DATE: October 23,2015

Sealed Bids will be received electronically through the Bid Express bidding service until 10:00 AM EASTERN DAYLIGHT TIME October 23,2015. Bids will be publicly announced at 10:00 AM EASTERN DAYLIGHT TIME.

PLANS AVAILABLE FOR THIS PROJECT.

REQUIRED BID PROPOSAL GUARANTY: Not less than 5% of the total bid.

ADMINISTRATIVE DISTRICT - 05

REVISED ADDENDUM #2: 10-20-15

CONTRACT ID - 151064

FD04 SPP 037 0060 009-010

COUNTY - FRANKLIN

PCN - DE03700601564

FD04 SPP 037 0060 009-010

KENTUCKY STATE UNIVERSITY PEDESTRIAN BRIDGE(US-60) CONSTRUCT PEDESTRIAN BRIDGE ACROSS
US-60 ON KENTUCKY STATE UNIVERSITY CAMPUS BETWEEN HATHAWAY HALL AND WHITNEY YOUNG
HALL.BRIDGE WITH GRADE, DRAIN & SURFACE SYP NO. 05-08714.00.

GEOGRAPHIC COORDINATES LATITUDE 38:14:00.00 LONGITUDE 84:52:00.00

COMPLETION DATE(S):

COMPLETED BY 01/31/2017

APPLIES TO ENTIRE CONTRACT

PROPOSAL BID ITEMS

151064

REVISED ADDENDUM #2: 10-20-15

Page 1 of 3

Report Date 10/20/15

Section: 0001 - PAVING

LINE	BID CODE	ALT	DESCRIPTION	QUANTITY	UNIT	UNIT PRIC	FP	AMOUNT
0010	00003		CRUSHED STONE BASE	270.00	TON		\$	
0020	00212		CL2 ASPH BASE 1.00D PG64-22	104.00	TON		\$	
0030	00301		CL2 ASPH SURF 0.38D PG64-22	22.00	TON		\$	

Section: 0002 - ROADWAY

LINE	BID CODE	ALT	DESCRIPTION	QUANTITY	UNIT	UNIT PRIC	FP	AMOUNT
0040	00524		STORM SEWER PIPE-24 IN	164.00	LF		\$	
0050	01756		MANHOLE TYPE A	3.00	EACH		\$	
0060	01791		ADJUST MANHOLE FRAME TO GRADE	1.00	EACH		\$	
0070	01810		STANDARD CURB AND GUTTER	347.00	LF		\$	
0080	01812		REMOVE CURB AND GUTTER	345.00	LF		\$	
0090	02242		WATER	1.00	MGAL		\$	
0100	02351		GUARDRAIL-STEEL W BEAM-S FACE	362.50	LF		\$	
0110	02367		GUARDRAIL END TREATMENT TYPE 1	1.00	EACH		\$	
0120	02381		REMOVE GUARDRAIL	39.00	LF		\$	
0130	02545		CLEARING AND GRUBBING 3.0 ACRES	1.00	LS		\$	
0140	02562		TEMPORARY SIGNS	54.00	SQFT		\$	
0150	02650		MAINTAIN & CONTROL TRAFFIC	1.00	LS		\$	
0160	02701		TEMP SILT FENCE	1,086.00	LF		\$	
0170	02703		SILT TRAP TYPE A	2.00	EACH		\$	
0180	02704		SILT TRAP TYPE B	2.00	EACH		\$	
0190	02705		SILT TRAP TYPE C	3.00	EACH		\$	
0200	02706		CLEAN SILT TRAP TYPE A	6.00	EACH		\$	
0210	02707		CLEAN SILT TRAP TYPE B	6.00	EACH		\$	
0220	02708		CLEAN SILT TRAP TYPE C	6.00	EACH		\$	
0230	02720		SIDEWALK-4 IN CONCRETE	189.00	SQYD		\$	
0240	02721		REMOVE CONCRETE SIDEWALK	185.00	SQYD		\$	
0250	02726		STAKING	1.00	LS		\$	
0260	02775		ARROW PANEL	1.00	EACH		\$	
0270	05952		TEMP MULCH	8,088.00	SQYD		\$	
0280	05953		TEMP SEEDING AND PROTECTION	809.00	SQYD		\$	
0290	05963		INITIAL FERTILIZER	.12	TON		\$	
0300	05964		20-10-10 FERTILIZER	.20	TON		\$	
0310	05985		SEEDING AND PROTECTION	8,088.00	SQYD		\$	
0320	05992		AGRICULTURAL LIMESTONE	2.40	TON		\$	
0330	21289ED		LONGITUDINAL EDGE KEY	341.00	LF		\$	
0340	40026		EMBANKMENT IN PLACE	5,669.00	CUYD		\$	

Section: 0003 - BRIDGE

LINE	BID CODE	ALT	DESCRIPTION	QUANTITY	UNIT	UNIT PRIC	FP	AMOUNT
0350	02998		MASONRY COATING	1,908.00	SQYD		\$	
0360	08001		STRUCTURE EXCAVATION-COMMON	342.00	CUYD		\$	

PROPOSAL BID ITEMS

REVISED ADDENDUM #2: 10-20-15

151064

Page 2 of 3

Report Date 10/20/15

LINE	BID CODE	ALT	DESCRIPTION	QUANTITY	UNIT	UNIT PRIC	FP	AMOUNT
0370	08100		CONCRETE-CLASS A	332.00	CUYD		\$	
0380	08104		CONCRETE-CLASS AA	125.00	CUYD		\$	
0390	08150		STEEL REINFORCEMENT	52,281.00	LB		\$	
0400	08151		STEEL REINFORCEMENT-EPOXY COATED	33,206.00	LB		\$	
0410	08672		PRECAST PC BOX BEAM SB42	795.00	LF		\$	
0420	20743ED		DRILLED SHAFT 54 IN-SOLID ROCK	40.00	LF		\$	
0430	20744ED		DRILLED SHAFT 60 IN-COMMON	14.00	LF		\$	
0440	20745ED		ROCK SOUNDINGS	144.00	LF		\$	
0450	20746ED		ROCK CORINGS	330.00	LF		\$	
0470	23000EX		DRILLED SHAFT-66 IN (ROCK) SOLID ROCK	70.00	LF		\$	
0480	23248EC		DRILLED SHAFT-36 IN COMMON	39.00	LF		\$	
0490	23249EC		DRILLED SHAFT-72 IN COMMON	84.00	LF		\$	
0500	23768EC		DRILLED SHAFT-30 IN-SOLID ROCK	15.00	LF		\$	

Section: 0004 - SEWERLINE

LINE	BID CODE	ALT	DESCRIPTION	QUANTITY	UNIT	UNIT PRIC	FP	AMOUNT
0510	02220		FLOWABLE FILL	6.00	CUYD		\$	
0520	02701		TEMP SILT FENCE	1,200.00	LF		\$	
0530	02705		SILT TRAP TYPE C	4.00	EACH		\$	
0540	15000		S BYPASS PUMPING	1.00	EACH		\$	
0550	15023		S ENCASMENT STEEL OPEN CUT RANGE 4	310.00	LF		\$	
0560	15092		S MANHOLE	18.00	EACH		\$	
0570	15093		S MANHOLE ABANDON/REMOVE	3.00	EACH		\$	
0580	15112		S PIPE PVC 08 INCH	2,017.00	LF		\$	

Section: 0005 - MISCELLANEOUS - PED WALKWAY

LINE	BID CODE	ALT	DESCRIPTION	QUANTITY	UNIT	UNIT PRIC	FP	AMOUNT
0590	50001		PEDESTRIAN WALKWAY	1.00	LS		\$	
0600	50003		ELECTRICAL	1.00	LS		\$	

Section: 0006 - MISCELLANEOUS - TOWER

LINE	BID CODE	ALT	DESCRIPTION	QUANTITY	UNIT	UNIT PRIC	FP	AMOUNT
0610	50000		TOWER ELEVATOR STRUCTURE	1.00	LS		\$	

Section: 0007 - MISCELLANEOUS - HVAC MECH

LINE	BID CODE	ALT	DESCRIPTION	QUANTITY	UNIT	UNIT PRIC	FP	AMOUNT
0620	50002		HVAC MECHANICAL	1.00	LS		\$	

Section: 0008 - DEMOBILIZATION & MOBILIZATION

151064

PROPOSAL BID ITEMS

REVISED ADDENDUM #2: 10-20-15

Page 3 of 3

Report Date 10/20/15

LINE	BID CODE	ALT	DESCRIPTION	QUANTITY	UNIT	UNIT PRIC	FP	AMOUNT
0630	02568		MOBILIZATION	1.00	LS		\$	
0640	02569		DEMOBILIZATION	1.00	LS		\$	